

FLATROOFVENT

Non-insulated construction ventilation terminals



Features & benefits

- Made of high-quality PP/Aluminium
- Applicable for all weather conditions
- High ventilation capacity
- No rain ingress
- Elegant design
- For new build and renovation purposes

Technical specifications

Product description

Flat Roof Void Vent



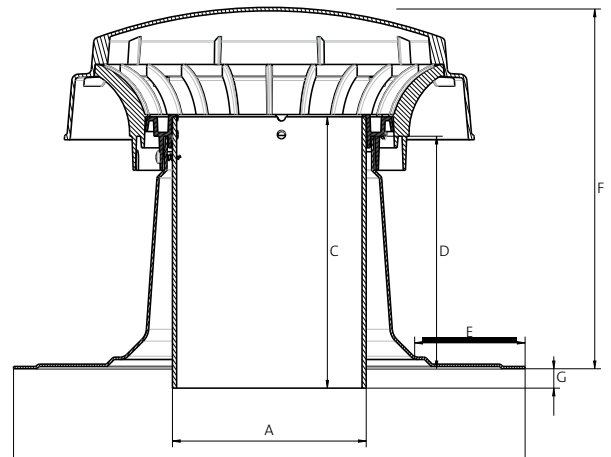
Technical details

Diameter	110, 160mm
Materials	
Cap	Polypropylene
Flange	Aluminum
Other	
Available colors	Black
BIM file	On demand Autodesk™ Revit®

Material

The Ubbink FlatRoofVent is made of high-quality polypropylene (PP). This material is lightweight and not sensitive to damage or cracking. The lifetime of high-quality PP is longer compared to aluminum and does not expand or crimp.

Dimensions (sizes in mm)



Diameter/ type	A	B	C	D	E	F	G
110	110	330	175	150	79	216	13
125	125	330	175	150	71,2	233	12,5
160	160	393	175	150	85,5	233	12,5